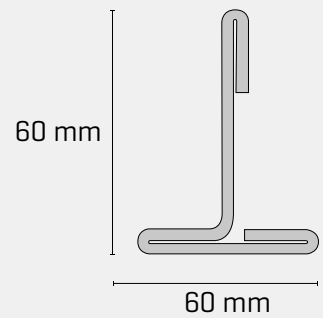
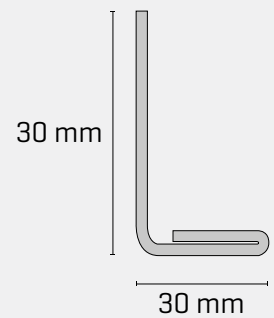


Ceilings

CC-25

Panelship has achieved elegance, functionality and design in a single ceiling system with high acoustic and fire protection performance. Its simple installation and dismantling will provide you with significant labour savings. It is supplied made to measure, with the necessary profiles for correct installation



CC-25

Fire classification	C-25
Standard width	300 mm
Maximum length	Up to 3.000 mm
Width	150-650 mm
Thickness	25 mm
Weight	8,3 Kg/m ²
Acoustic insulation	Rw=31 dB
Thermal insulation	U=0,85 W/m ² K
Application	Interior ceiling



Assembly instructions

- 1 The 30 x 30 angular is fitted around the perimeter of the premises where the ceiling is to be installed, either screwed or riveted.
- 2 If the long direction of the ceiling pieces exceeds 3,000 mm, a "T" profile or support beam will be installed where deemed appropriate to prevent system flexion.
- 3 When all profiles are installed, the first ceiling panel will be supported on the angle and beam, if one is installed.
- 4 The following ceiling panel is positioned, making the profiles of both coincide so that they are correctly aligned, with this same step being repeated to install each of the following panels until the surface is completely covered.

